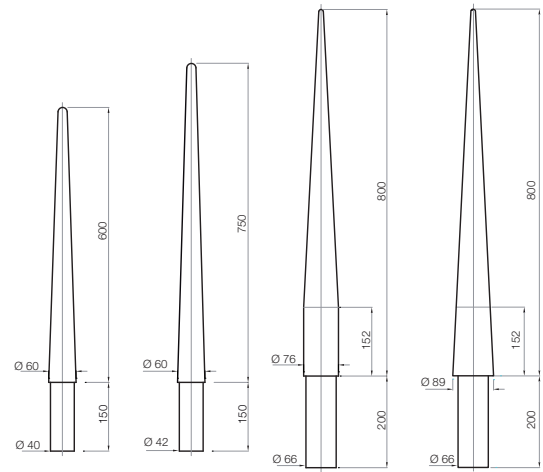
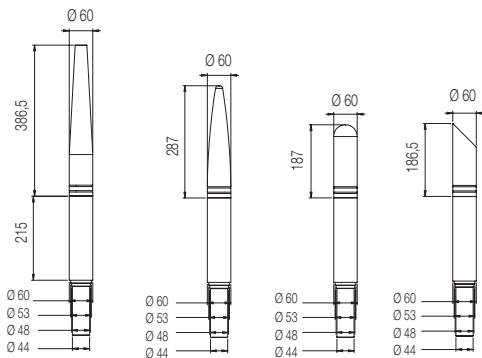


LUMINOUS column finials



ALUMINIUM column finials



DESCRIPTION

- 4 models available
- Aluminium alloy body
- PMMA Transparent end-piece screwed on the fitting
- Polyester powder coating, any colour available
- O-ring
- Cable gland with anchoring device
- IP 66
- 1 LED power 1W at 350mA (white, blue, red, green)
- Power supply 230 V
- Wired with cable HO7RNF - 3G 1,5² - 13m

DESCRIPTION

- 4 models available
- Cast aluminium body
- Male bracket fastening
- Fastened by stainless steel screws depending on mounting specifications
- Polyester powder coating

MECHANICAL INTERFACES

- Fixation on pole $\varnothing 60/62\text{mm}$ and $\varnothing 89\text{mm}$

